

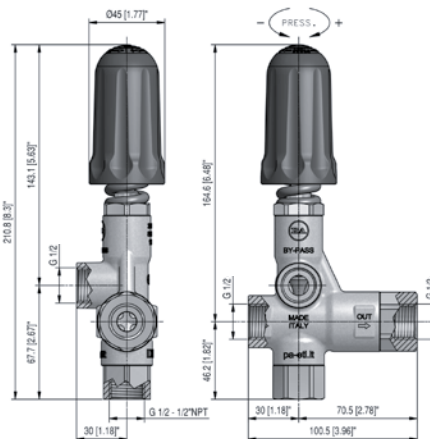
Valvole regolazione pressione con by-pass esterno  
 Unloader valves with external by-pass  
 Régulateurs de pression séparés de la culasse  
 Válvulas de regulación de presión

Temperatura max: 60°C - 140°F  
 Max temperature: 60°C - 140°F  
 Température maxi.: 60°C - 140°F  
 Temperatura máx: 60°C - 140°F

## VD 85/280



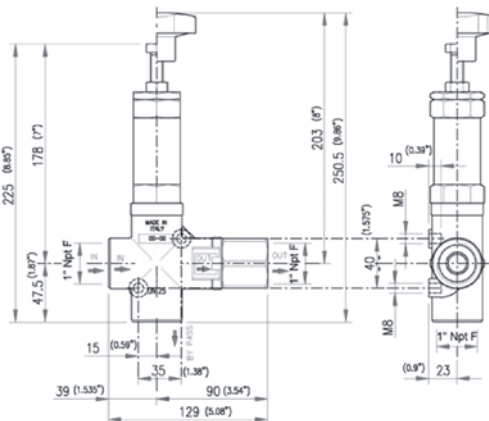
CODICE PART NR.	MODELLO MODEL	PRESSIONE MAX MAX PRESSURE		PORTATA FLOW		Attacco pompa Port size	Uscita Outlet	Scarico By-pass	PESO WEIGHT	
		BAR	PSI	l/min	GPM				Kg	lbs
06.9819.97.3	VD 85/280	280	4000	80	21	1/2 BSP - F	1/2 BSP - F	1/2 BSP - F	1.19	2.6



## VD 200/150



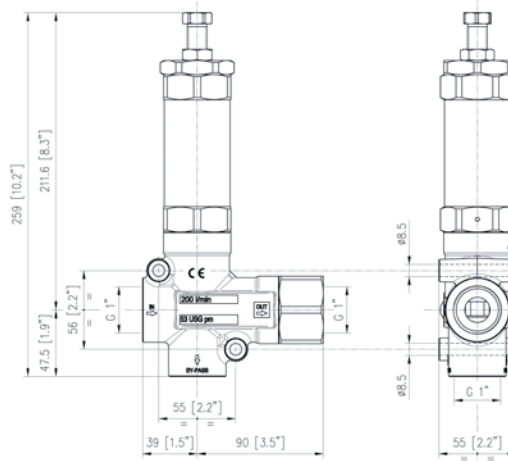
CODICE PART NR.	MODELLO MODEL	PRESSIONE MAX MAX PRESSURE		PORTATA FLOW		Attacco pompa Port size	Uscita Outlet	Scarico By-pass	PESO WEIGHT	
		BAR	PSI	l/min	GPM				Kg	lbs
73.9831.97.3	VD 200/150	150	2200	200	53	1" Npt - F	1" Npt - F	1" Npt - F	2.06	4.5
73.9903.97.3	VD 200/150	150	2200	200	53	1" BSP - F	1" BSP - F	1" BSP - F	2.06	4.5



## VD 200/280



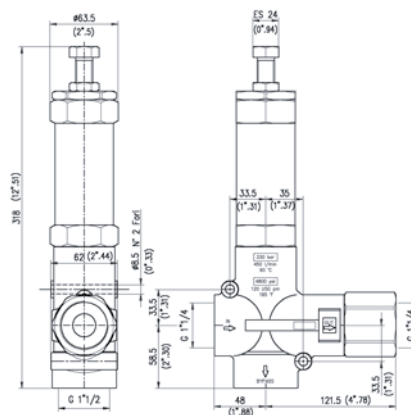
CODICE PART NR.	MODELLO MODEL	PRESSIONE MAX MAX PRESSURE		PORTATA FLOW		Attacco pompa Port size	Uscita Outlet	Scarico By-pass	PESO WEIGHT	
		BAR	PSI	l/min	GPM				Kg	lbs
73.9910.97.3	VD 200/280	280	4000	200	53	1" BSP-F	1" BSP-F	1" BSP-F	3.44	7.58



## VD 450/200



CODICE PART NR.	MODELLO MODEL	PRESSIONE MAX MAX PRESSURE		PORTATA FLOW		Attacco pompa Port size	Uscita Outlet	Scarico By-pass	PESO WEIGHT	
		BAR	PSI	l/min	GPM				Kg	lbs
74.9800.97.3	VD 450/200	210	3045	450	120	1 1/4 BSP-F	1 1/4 BSP-F	1 1/2 BSP-F	5.95	13



Valvole regolazione pressione in acciaio inossidabile con by-pass esterno  
 Stainless steel unloader valves with external by-pass  
 Régulateurs de pression en acier inox séparés de la culasse  
 Válvulas de regulación de presión en acero inox

Temperatura max: 90°C - 195°F  
 Max temperature: 90°C - 195°F  
 Température maxi: 90°C - 195°F  
 Temperatura máx: 90°C - 195°F

## VD 80/150



CODICE PART NR.	MODELLO MODEL	PRESSIONE MAX MAX PRESSURE		PORTATA FLOW		Attacco pompa Port size	Uscita Outlet	Scarico By-pass	PESO WEIGHT	
		BAR	PSI	l/min	GPM				Kg	lbs
06.9915.97.3	VD 80/150 (AISI 316)	150	2200	80	21	1/2 BSP - F	1/2 BSP - F	1/2 BSP - F	1.2	2.7

## VD 80/400 - VD 80/500 - VD 80/560



CODICE PART NR.	MODELLO MODEL	PRESSIONE MAX MAX PRESSURE		PORTATA FLOW		Attacco pompa Port size	Uscita Outlet	Scarico By-pass	PESO WEIGHT	
		BAR	PSI	l/min	GPM				Kg	lbs
08.9828.97.3	VD 80/400 (AISI 303)	400	5800	80	21	1/2 BSP - F	1/2 BSP - F	1/2 BSP - F	0.89	1.95
08.9842.97.3	VD 80/500 (AISI 303)	500	7250	80	21	1/2 BSP - F	1/2 BSP - F	1/2 BSP - F	1.23	2.7
08.9867.97.3	VD 80/560 (AISI 303)	560	8120	80	21	1/2 BSP - F	1/2 BSP - F	1/2 BSP - F	0.84	1.85

**VD 80/400 80/500**

**VD 80/560**

Valvole di massima pressione  
 Pressure relief valves  
 Régulateur de pression  
 Válvulas de presión

Temperatura max: 60°C - 140°F  
 Max temperature: 60°C - 140°F  
 Température maxi: 60°C - 140°F  
 Temperatura máx: 60°C - 140°F

## VS 1500



CODICE PART NR.	MODELLO MODEL	PRESSIONE MAX MAX PRESSURE		PORTATA FLOW		Attacco pompa Port size	Uscita Outlet	Scarico By-pass	PESO WEIGHT	
		BAR	PSI	l/min	GPM				Kg	lbs
73.9832.97.3	VS 1500	105	1500	220	58	3/4 BSP - M	---	1" BSP - M	1.62	3.5

## VRP 60/1000



CODICE PART NR.	MODELLO MODEL	PRESSIONE MAX MAX PRESSURE		PORTATA FLOW		Attacco pompa Port size	Uscita Outlet	Scarico By-pass	PESO WEIGHT	
		BAR	PSI	l/min	GPM				Kg	lbs
74.1017.97.3	VRP 60/1000	1000	14500	60	15.8	1/2" BSP - F	1/2" BSP - F	1/2" BSP - F	4.9	10.8

Valvole di sicurezza  
 Safety valves  
 Soupapes de sécurité  
 Válvulas de seguridad

Temperatura max: 90°C - 195°F  
 Max temperature: 90°C - 195°F  
 Température maxi: 90°C - 195°F  
 Temperatura máx: 90°C - 195°F



ACCIAIO INOX  
 STAINLESS STEEL



CODICE PART NR.	MODELLO MODEL	PRESSIONE MAX MAX PRESSURE		PORTATA FLOW		Attacco pompa Port size	Scarico By-pass	PESO WEIGHT	
		BAR	PSI	l/min	GPM			Kg	lbs
86.1677.00.2	VS 280 (AISI 303)	280	4000	80	21	N°2 1/2 BSP - F	1/2 BSP - F	1.21	2.7
86.1678.00.2	VS 400 (AISI 303)	400	5800	80	21	N°2 1/2 BSP - F	1/2 BSP - F	1.21	2.7
86.1679.00.2	VS 500	500	7250	80	21	1/2 BSP - F	1/2 BSP - F	1.42	3.1
86.1779.00.2	VS 180	180	2610	200	53	3/4 BSP - F	1/2 BSP - F	0.82	1.8
86.1680.00.2	VS 200	200	2900	450	119	1"1/4 BSP-F	1"1/4 BSP-F	3.8	8.4

**Filtri in aspirazione**  
**Inlet filters**  
**Filtres aspiration**  
**Filtros en aspiración**



CODICE PART NR.	DESCRIZIONE DESCRIPTION	ENTRATA INLET	USCITA OUTLET	APPLICAZIONI APPLICATIONS
80.7200.00.2	<p>Filtro con corpo in plastica e cartuccia in acciaio inox con potere filtrante pari a 80 mesh.</p> <p><i>80 Mesh filtration. Heavy duty molded plastic with stainless steel screen</i></p> <p>Filtre avec corps en plastique et cartouche en acier inox 80 Mesh</p> <p><i>Filtro con cuerpo en plástica y cartucho en acero inox 80 Mesh.</i></p>	1" 1/2 BSP – M	1" 1/2 BSP – M	<p>Pompe CK - CPQ - C - CX</p> <p>Pumps CK - CPQ - C - CX</p> <p>Pompes CK - CPQ - C - CX</p> <p>Bombas CK - CPQ - C - CX</p>

**Flangiatura con giunto elastico per motori idraulici**  
**Bell housing + flexible coupling for hydraulic motors**  
**Bride avec accouplement élastique pour moteurs hydrauliques**  
**Brida con junta elástica para motores hidráulicos**



CODICE PART NR.	MOTORE IDRAULICO HYDRAULIC MOTOR					COPPIA MASSIMA MAX. TORQUE
	TIPO FRAME	ALBERO SHAFT	FLANGIA FLANGE	KA	CKI CAI (*)	
31.9212.97.3	GRUPPO 3 GROUP 3	1" SAE BB CILINDRICO SOLID SHAFT 1" SAE BB	<p>SAE B (CENTRAGGIO Ø101.6mm)</p> <p>2 FORI (INTERASSE 146mm )</p> <p>SAE B (CENTERING Ø101.6mm)</p> <p>2 HOLES (DISTANCE 146mm)</p>	●		120 Nm
31.9215.97.3	GRUPPO 3 GROUP 3	1" SAE BB CILINDRICO SOLID SHAFT 1" SAE BB		●		120 Nm
31.9216.97.3	GRUPPO 3 GROUP 3	1" SAE BB CILINDRICO SOLID SHAFT 1" SAE BB		●		230 Nm
31.9217.97.3	MOTORE ORBITALE OMR-OMS ORBITAL MOTOR OMR-OMS	1" CILINDRICO (SAUER DANFOSS) SOLID SHAFT 1" (SAUER DANFOSS)	<p>A2 SAUER DANFOSS (CENTRAGGIO Ø82.55mm)</p> <p>2 FORI (Ø13.5mm- INTERASSE 106.4mm )</p> <p>A2 SAUER DANFOSS (CENTERING Ø82.55mm)</p> <p>2 HOLES (Ø13.5- DISTANCE 106.4mm)</p>		●	230 Nm

(\*) Pompe in versione per motore idraulico  
 (\*) Version pompes pour moteur hydraulique

(\*) Pumps version for hydraulic motor  
 (\*) Versión bombas para motor hidráulico

## Giunti Elastici

Flexible Couplings - Accouplements Elastiques - Juntas Elásticas



CODICE PART NR.	MOTORE ELETTRICO: ELECTRIC MOTOR:		POMPE PUMPS		
	TIPO FRAME	ALBERO SHAFT	ALBERO SHAFT	CA-CK-CPQ C 3006	CX
31.1788.97.3	H 160	42X110	35x65	●	
31.1787.97.3	H 180	48X110	35x65	●	
31.1786.97.3	H 200-225	55X110	35x65	●	
31.1784.97.3	H 225-250	60X110	35x65	●	
31.1926.97.3	H 225-250	60X110	40x80		●
31.1785.97.3	H 250-280	65X140	35x65	●	
31.1927.97.3	H 250-280	65X140	40x80		●
31.1928.97.3	H 280 M	75X140	40x80		●

## Accumulatori di pressione

Pulsation dampers- Accumulateurs de pression - Acumuladores de presión



CODICE PART NR.	PRECARICA PRE CHARGE		ENTRATA INLET	VOLUME / FLOW		DESCRIZIONE DESCRIPTION
	BAR	PSI		L	USG	
80.7100.00.2	60	870	M 18X1,5	0,75	0.2	Accumulatore precaricato ad azoto in acciaio forgiato con membrana sostituibile; montaggio verticale o orizzontale.
80.7101.00.2	80	116	M 18X1,5	0,75	0.2	
80.7102.00.2	120	174	M 18X1,5	0,75	0.2	
80.7110.00.2	60	870	M 18X1,5	0,35	0.1	Pulsation damper, nitrogen precharged, fitted with replaceable diaphragm, vertical or horizontal mounting.
80.7111.00.2	80	116	M 18X1,5	0,35	0.1	
80.7112.00.2	120	174	M 18X1,5	0,35	0.1	
83.5069.51.2	Raccordo per connessione M18x1.5M - 3/4 BSP F. - Adapter M18X1.5 M -3/4 BSP F					



## Manometri

Pressure gauges - Manomètres - Manómetros



CODICE PART NR.	DESCRIZIONE DESCRIPTION	ENTRATA INLET	SCALA SCALE
83.0096.20.2	DN 63 - ABS	1/4 BSP – M ATTACCO RADIALE	0 – 250 bar 0 – 3600 PSI
83.0096.50.2	DN 63 - INOX		0 – 250 bar 0 – 3600 PSI
83.0096.00.2	DN 63 - ABS	1/4 BSP – M RADIAL CONNECTION	0 – 315 bar 0 – 4568 PSI
83.0097.00.2	DN 63 - INOX		0-600 bar 0-8700 PSI
83.0099.00.2	DN 63 - INOX		0-1000 bar 0-14500 PSI



CODICE PART NR.	DESCRIZIONE DESCRIPTION	ENTRATA INLET	SCALA SCALE
83.0096.25.2	DN 63 - ABS	1/4 BSP – M ATTACCO POSTERIORE	0 – 250 bar 0 – 3600 PSI
83.0096.05.2	DN 63 - ABS	1/4 BSP – M BACK CONNECTION	0 – 315 bar 0 – 4568 PSI
83.0097.50.2	DN 63 - INOX		0-600 bar 0-8700 PSI
83.0099.10.2	DN 63 - INOX		0-1000 bar 0-14500 PSI

## Supporti antivibranti per gruppi elettropompa

Shock-isolating mountings for power units - Supports antivibratiles pour ensemble pompe/moteur - Soportes antivibrantes para grupos electrobombas



CODICE PART NR.	DIAMETRO DIAMETER	ALTEZZA HEIGHT	RACCORDO CONNECTION
80.4010.97.3	100 mm 3.93"	40 mm 1.57"	M 16 x 2